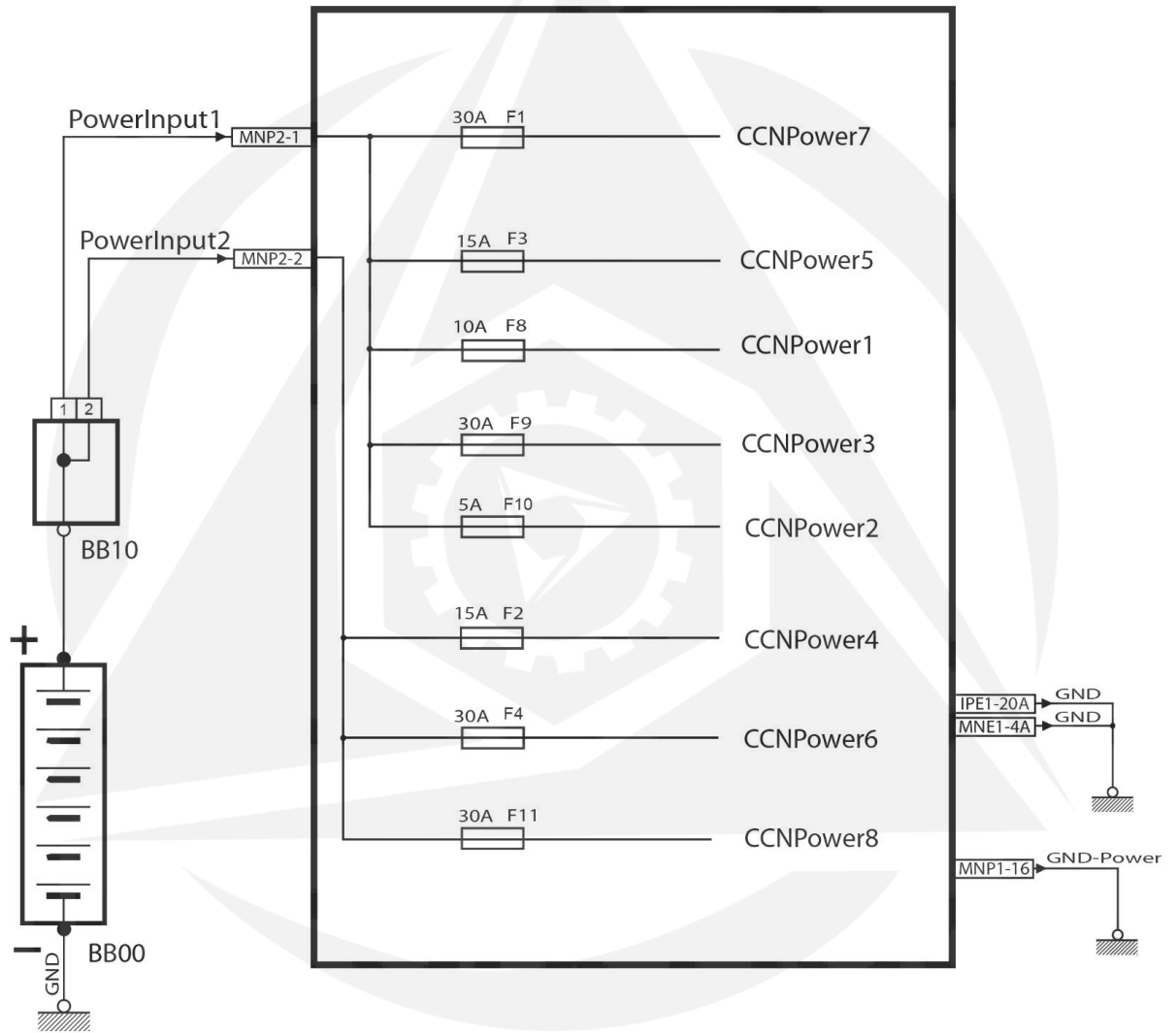


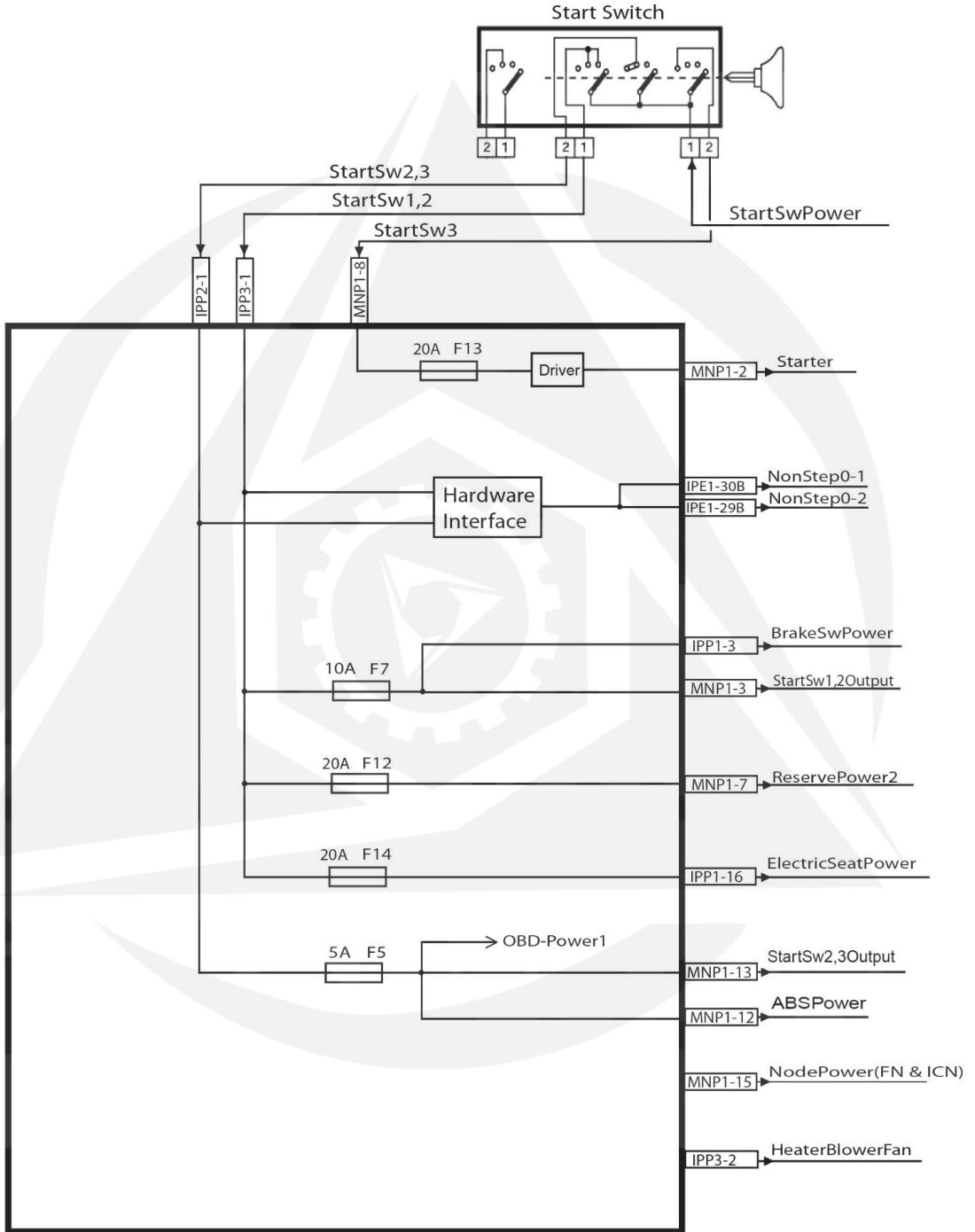


Title : Wiring Schematic Diagram

Subject : CCN (Fuse Box)

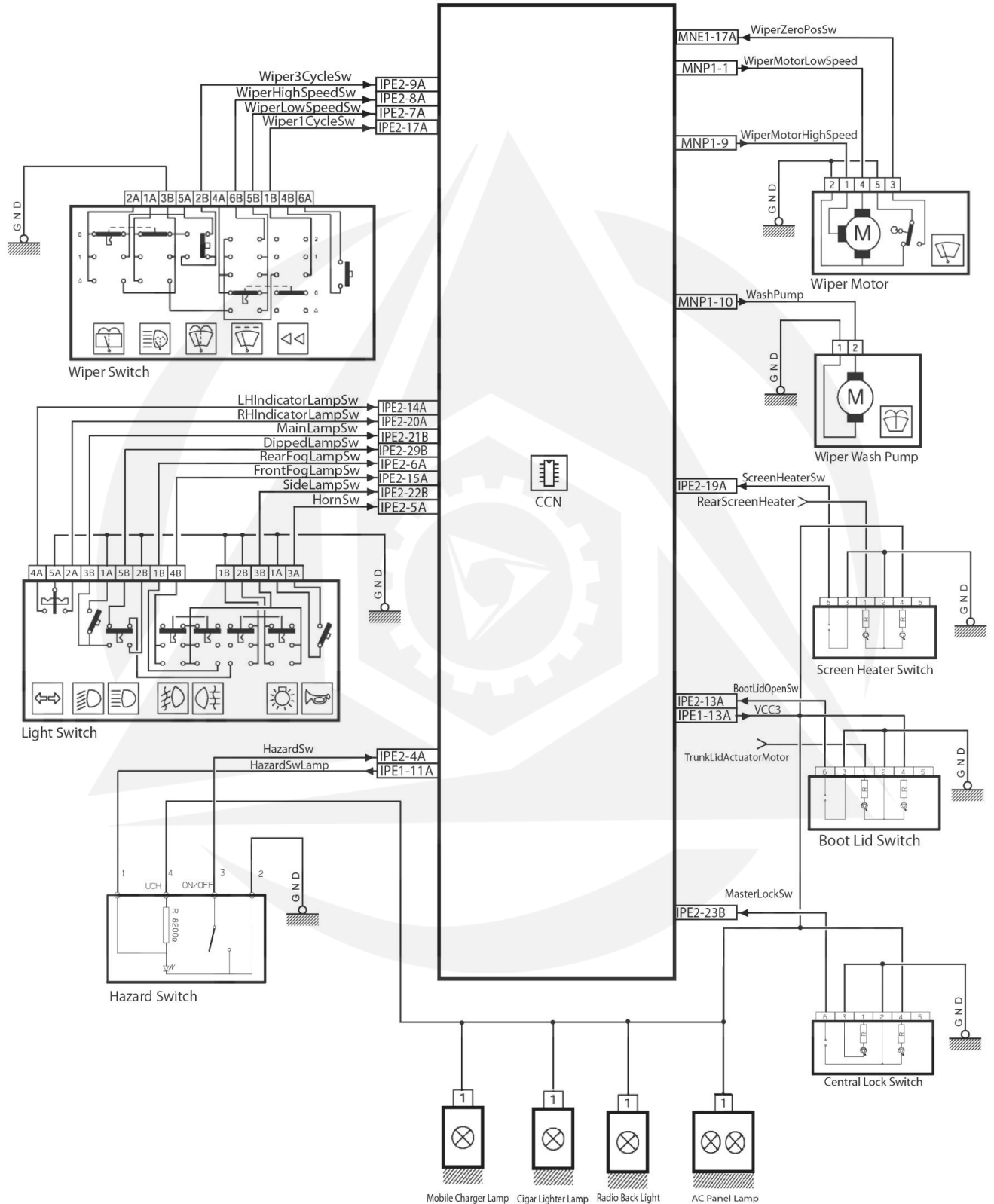


Title :Wiring Schematic Diagram
Subject : CCN (Fuse Box)



Title : Wiring Schematic Diagram

Subject : CCN

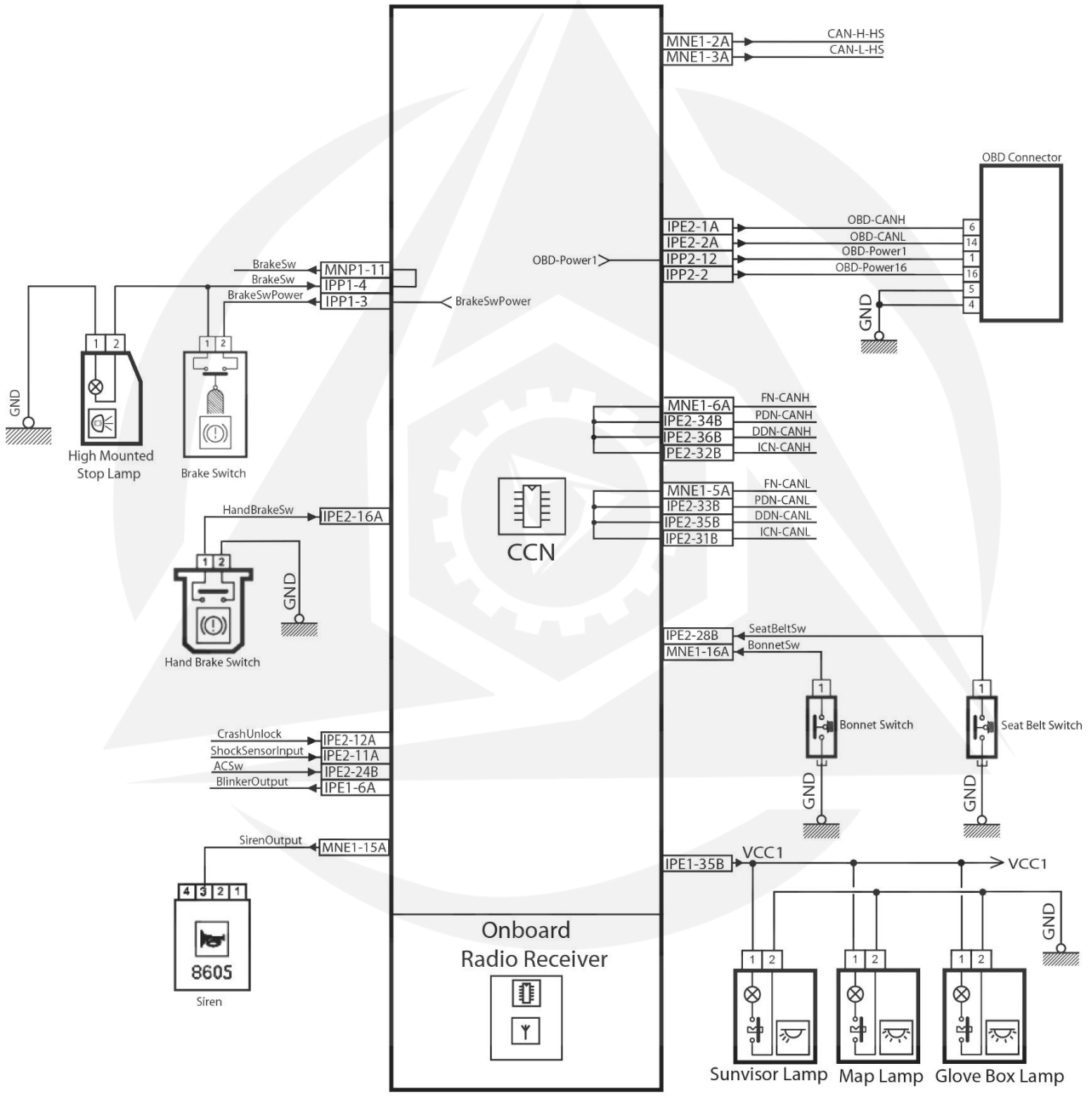


Drawn by : H.R.Abd
Responsible: M.Shahraein

Page : 3 of 7

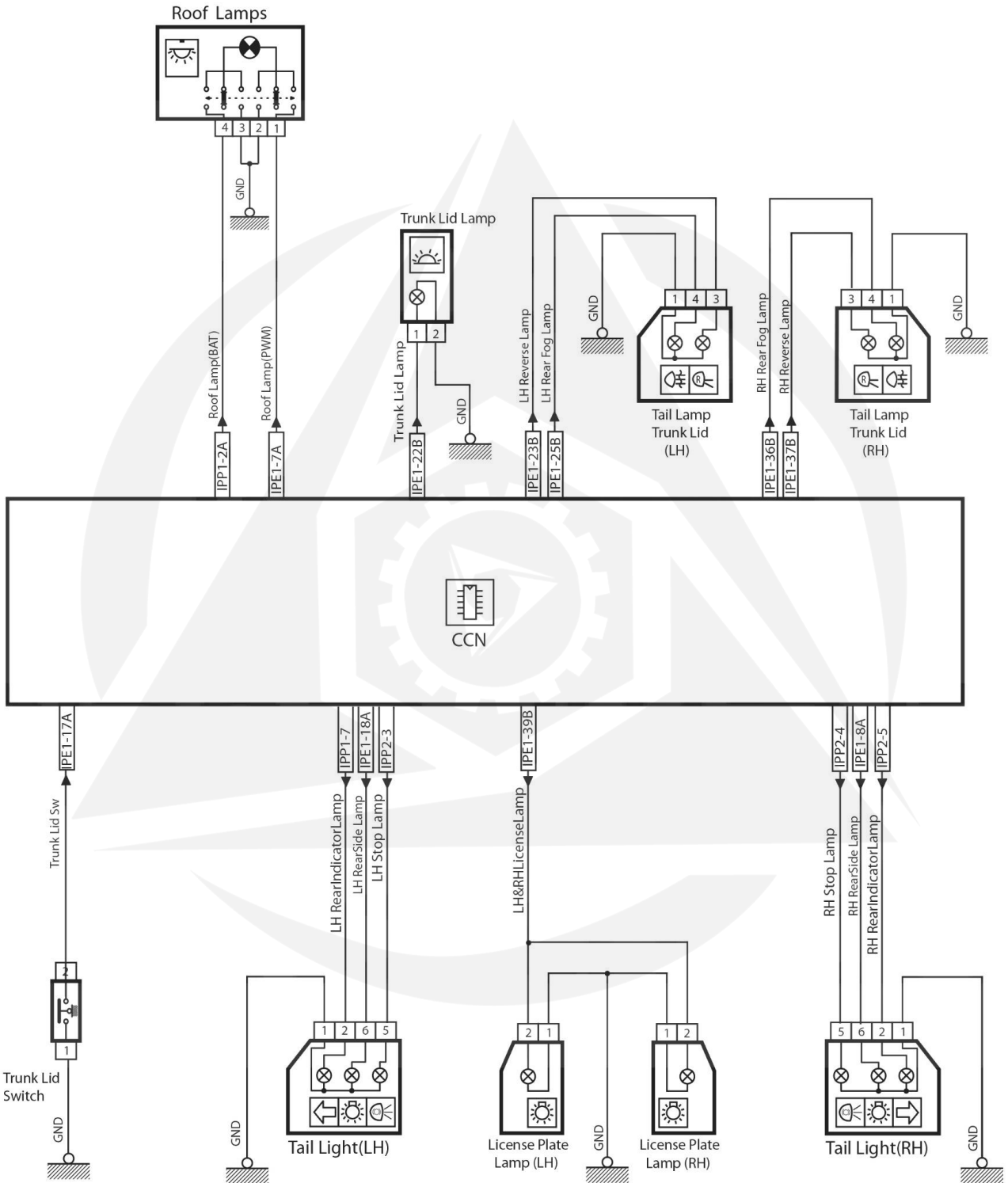
Doc. Ref : AMS-ELE-SCH-0017-10
Version : 10.0

Title : Wiring Schematic Diagram
Subject : CCN



Title : Wiring Schematic Diagram

Subject : CCN



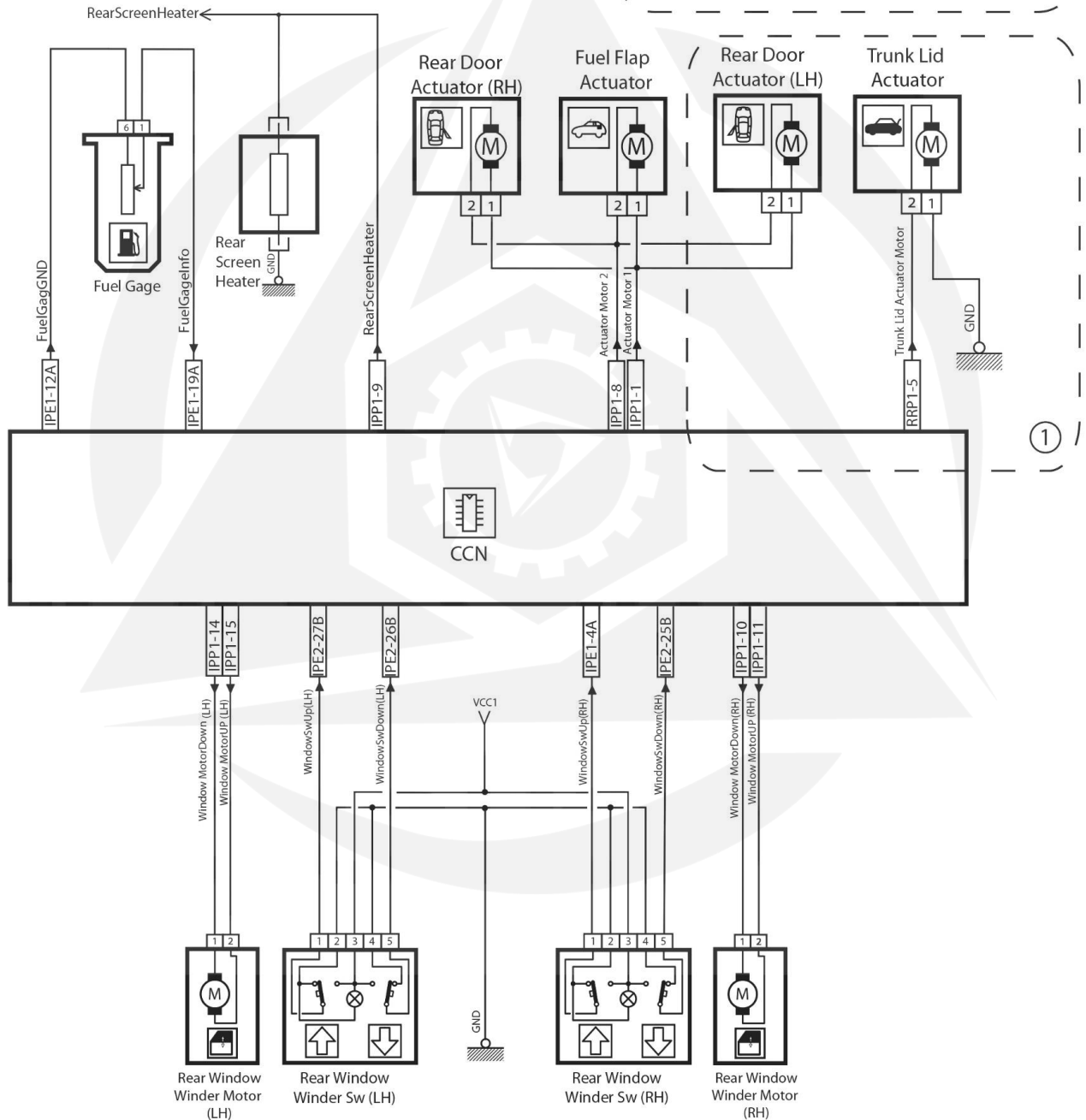
Drawn by : H.R.Abd
Responsible : M.Shahraein

Page : 5 of 7

Doc. Ref : AMS-ELE-SCH0017-10
Version : 10.0

Title : Wiring Schematic Diagram
Subject : CCN
Note:

- ① Used in Luxury Samand
- ② Used in Standard Samand



Title : Wiring Schematic Diagram

Subject : CCN

