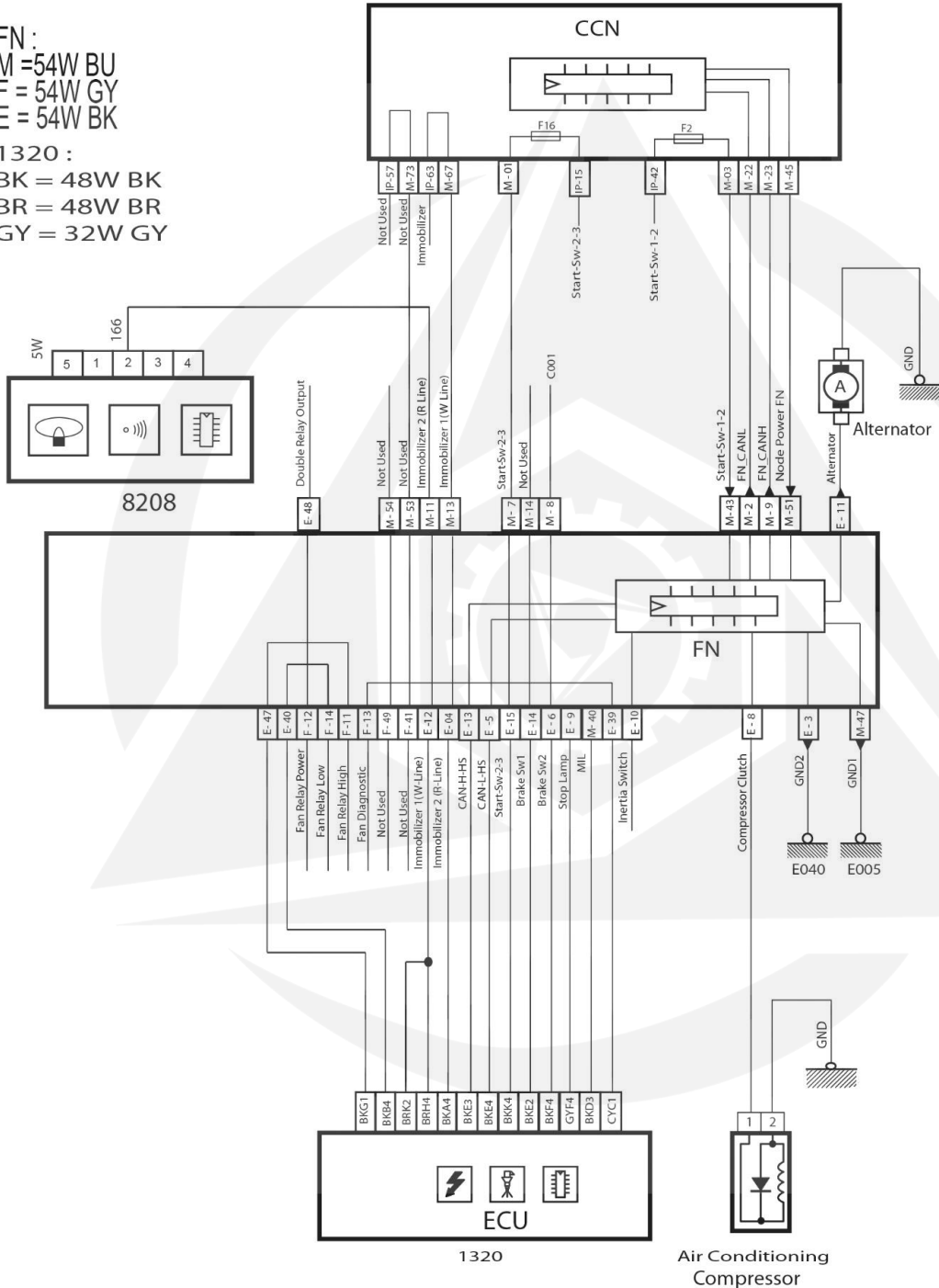


**FN Node - Samand SMS MUX**

CCN :  
M = 82W BK  
F = 82W GY

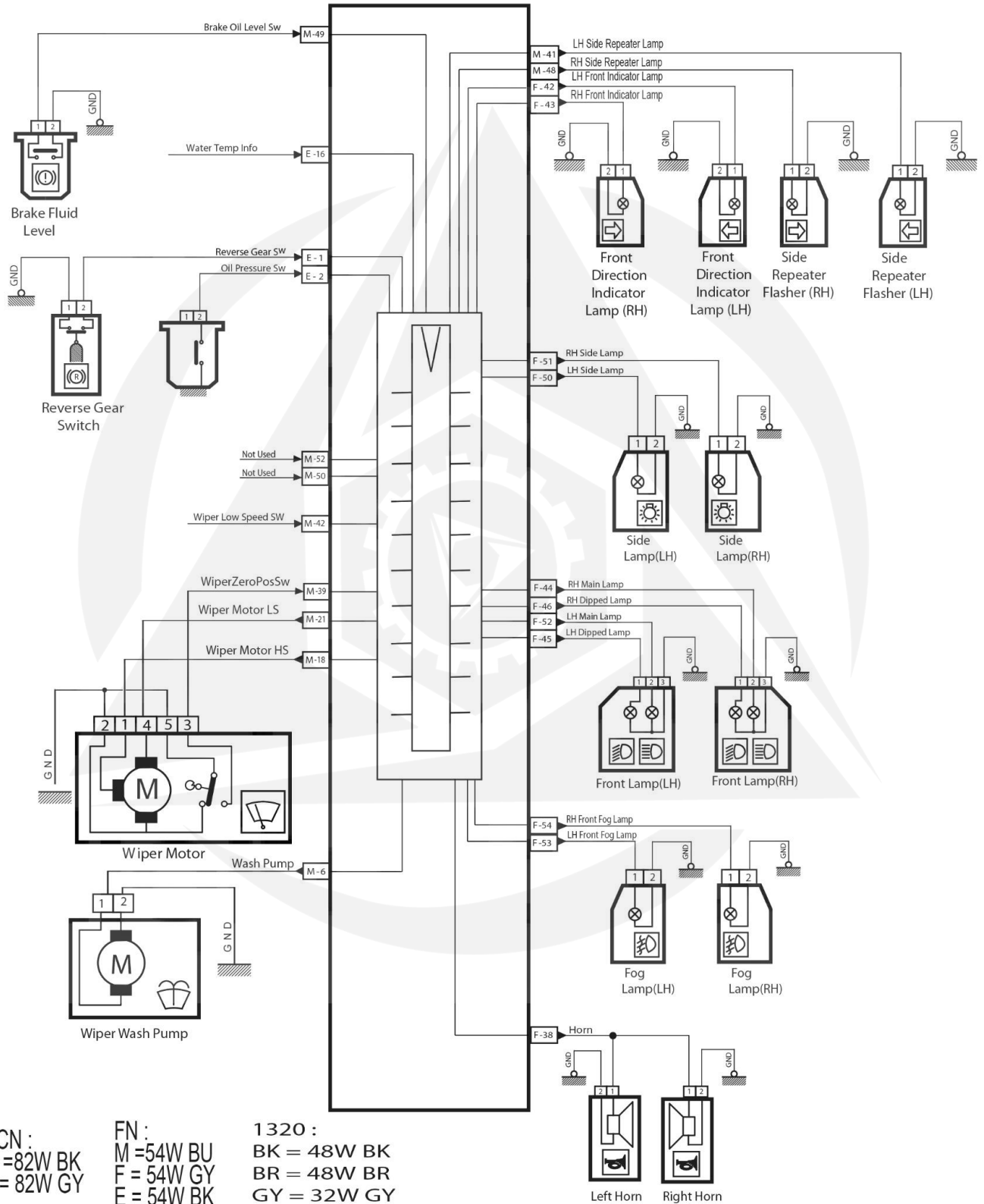
FN :  
M = 54W BU  
F = 54W GY  
E = 54W BK

1320 :  
BK = 48W BK  
BR = 48W BR  
GY = 32W GY





FN Node - Samand SMS MUX



CCN :  
 M = 82W BK  
 F = 82W GY

FN :  
 M = 54W BU  
 F = 54W GY  
 E = 54W BK

1320 :  
 BK = 48W BK  
 BR = 48W BR  
 GY = 32W GY



FN Node - Samand SMS MUX

E = 54W BK  
M = 54W BU  
F = 54W GY

